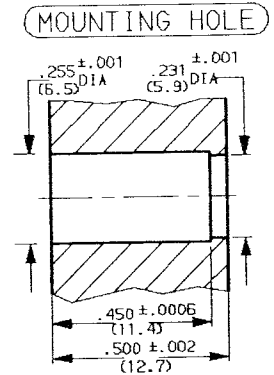
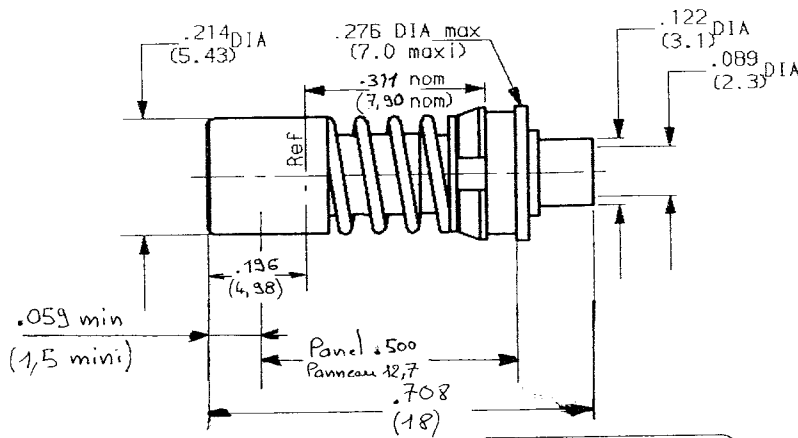


LOW PROFIL-PANEL FEEDTROUGH CABLE JACK
REAR MOUNT - CABLE .085

SERIES:

SBMA

1 / 3



WEIGHT oz (g)

cables: RG 405

CHARACTERISTICS

| | | |
|---------------------------------|--------------------|----------------------------|
| NOMINAL IMPEDANCE | 50 | Ω |
| FREQUENCY RANGE | 0 28 | GHz |
| TEMPERATURE RATING | -65 +105 | °C |
| VSWR | 1.05 + 0.01F (GHz) | Max |
| RF INSERTION LOSS | 0.04/f (GHz) | dB Max |
| VOLTAGE RATING | 250 | Vrms |
| DIELECTRIC WITHSTANDING VOLTAGE | 675 | Vrms |
| INSULATION RESISTANCE | 5000 | MΩ |
| HERMETIC SEAL | NA | cc/s cm ³ /s |
| LEAKAGE (pressurized only) | - | psi kg/cm ² |

STANDARDISATION

| | | |
|----------------------------|-------|-------------------|
| CABLE RETENTION | 45 | Lb Min |
| | 200 | N Min |
| CENTER CONTACT RETENTION | | |
| Axial force - mating end | 4.073 | Lb Min |
| | 18.1 | N Min |
| Axial force - opposite end | 4.073 | Lb Min |
| | 18.1 | N Min |
| Torque (Min) | NA | Inch. oz cm. N |
| RECOMMENDED TORQUES | | |
| Mating | NA | Inch. Lb cm. N |
| Panel nut | NA | Inch. Lb cm. N |
| Clamp nut | NA | Inch. Lb cm. N |

CONSTRUCTION

| CONNECTOR PARTS | MATERIALS | FINISH |
|-----------------|------------------|------------------|
| BODY | Stainless steel | Gold over nickel |
| OUTER CONTACT | Beryllium copper | Gold over nickel |
| CENTER CONTACT | Beryllium copper | Gold over nickel |
| INSULATORS | PTFE | - |
| - | - | - |
| - | - | - |
| - | - | - |
| - | - | - |
| - | - | - |

| ISSUE | REVISION No | DESCRIPTION | BY | DATE |
|-------|-------------|------------------------------------|------------|-----------|
| 9406 | . | .314 → .311 nom. Added dimensions. | MEYNIER | 03.02.94 |
| 9349 | 02.06.010 | Bronze → Beryllium copper | MEYNIER | 07/12/93 |
| 9315 | . | .315 → .314 - Added .196 | Triqués E. | 16.04.93 |
| 9114 | . | Change Ø 7.15 → Ø 7.0 max! | MEYNIER | 02-APR-91 |

Initiated on 13-OCT-89

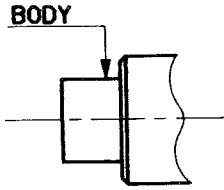
The information given here is subject to change without notice. Design changes may be in order to improve the product.



Superseded on 07-12-93

LOW PROFIL-PANEL FEEDTROUGH CABLE JACK
REAR MOUNT - CABLE .085

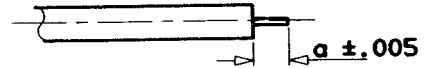
PROVISOIRE



We recommend a cable thermal preconditioning before assembly

①

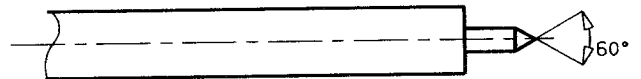
- 1-1 Strip the cable .
Stripping tool R282 051
Positioner R282 062



| Stripping | a | b | c | d | e |
|-----------|------|---|---|---|---|
| inch | .070 | - | - | - | - |
| mm | 1.78 | - | - | - | - |

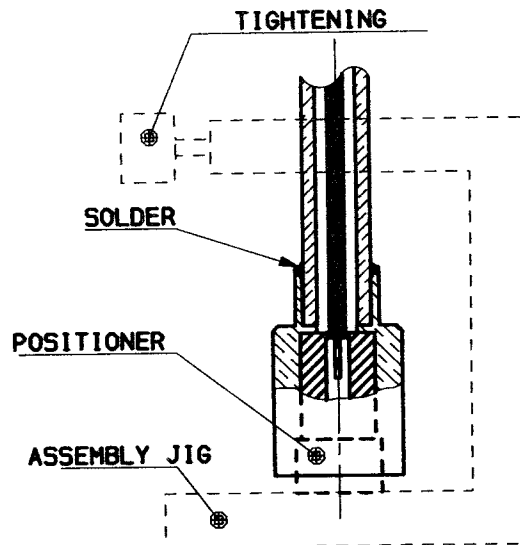
②

- 2-1 Trimm cable centre conductor .
Trimmer R282 062



③

- 3-1 Introduce the cable into the connector body until contact with the body shoulder. Place the sub assembly into the assembly jig R282 740 (or equivalent) with positioner R282 860 120 and tighten it .
- 3-2 Solder body on the cable .
- 3-3 Let the assembly cool down before removing it from the jig .



| ISSUE | REVISION No | DESCRIPTION | BY | DATE |
|-------|-------------|-------------|----|------|
| . | . | . | . | . |
| . | . | . | . | . |
| . | . | . | . | . |

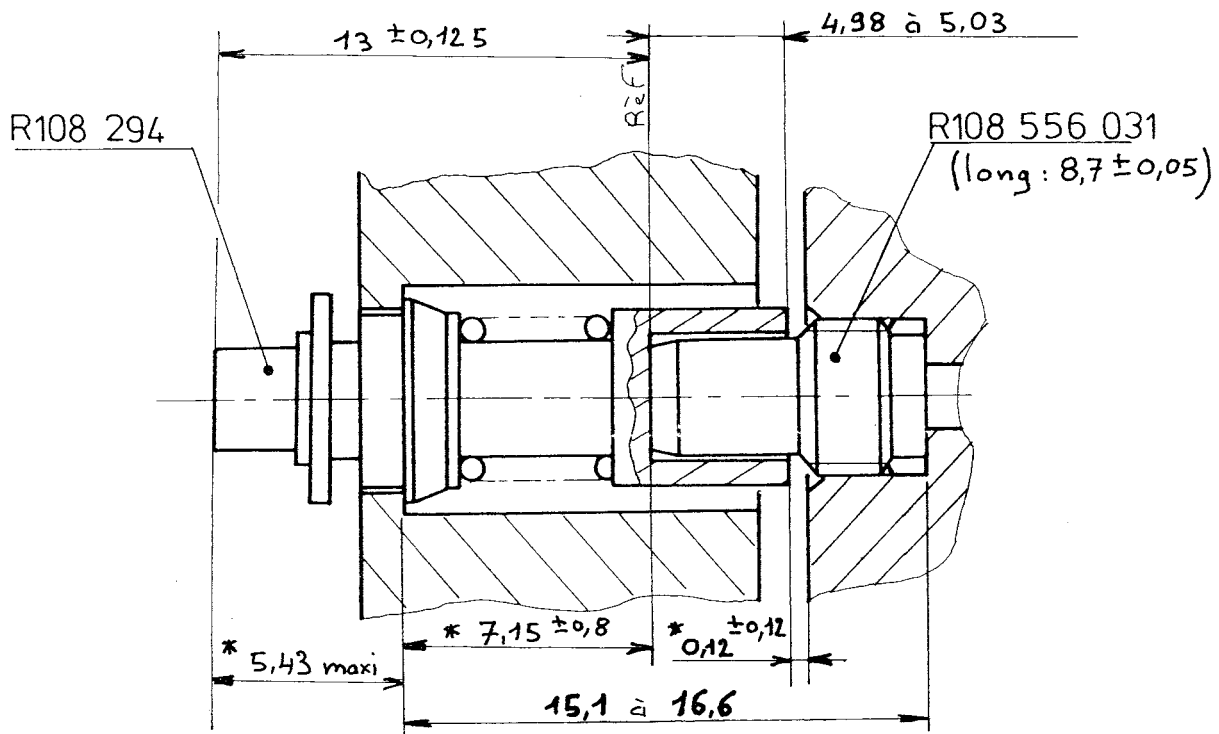
Initiated on 13-10-89
Superseded on -----

The information given here is subject to change without notice. Design changes may be in order to improve the product.




IMPLANTATION DE MONTAGE FLOTTANT

SERIE : SBMA

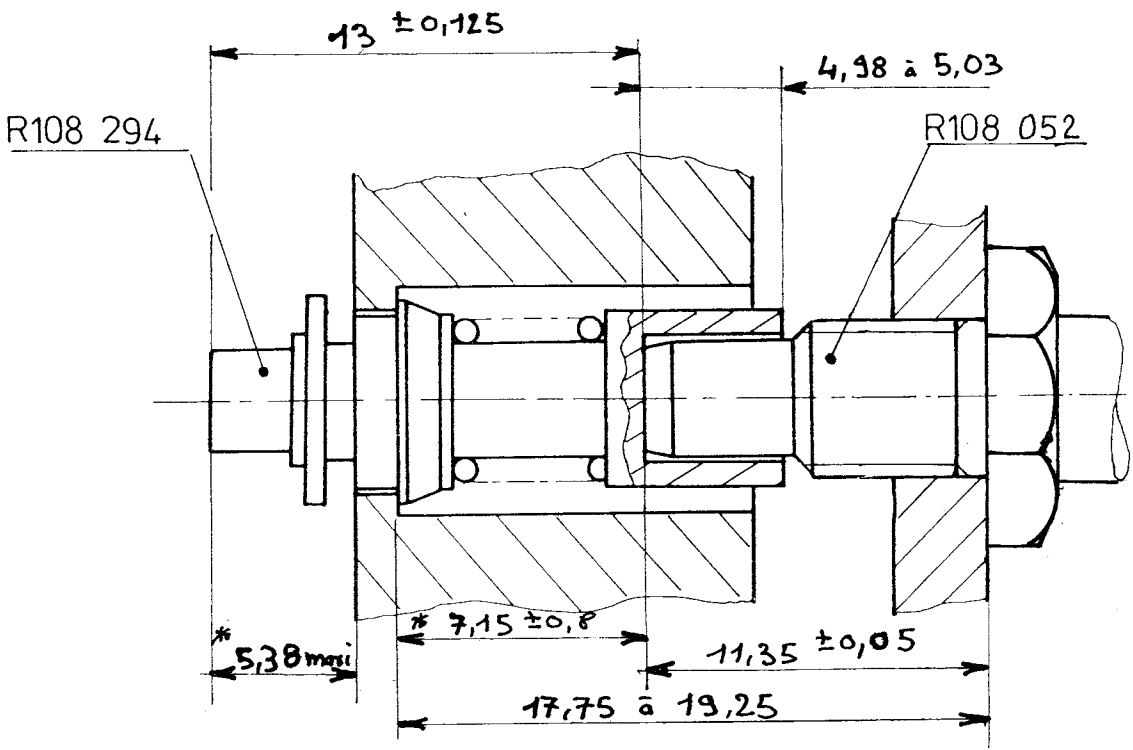


* Côtes résultantes.

| IND | No MODIF | OBJET | VISA | DATE |
|---------------------------|----------|---|---|----------|
| 9406 | . | Ajouté dimensions complémentaires | MEYNIER | 09.02.94 |
| Creation Date 17.12.92 | | Ces renseignements sont donnés à titre indicatif. Dans le but constant d'améliorer nos produits, nous nous reser- vons le droit d'apporter toutes modifications jugées utiles. |  101, Rue Ph. Hoffmann - Z.I. Ouest 93116 ROCHY/S/BOIS Cedex (France) Tel. : (1) 48 54 80 40 Fax : (1) 48 54 63 63 Telex: Radia A 220673 F | |
| Mise a jour Date 09-02-94 | | | | |

IMPLANTATION DE MONTAGE FLOTTANT

SERIE : SBMA



* Côtes résultantes.

| IND | No MODIF | OBJET | VISA | DATE |
|------------------------|----------|---|---|----------|
| | | | | |
| | | | | |
| 9843 | | Mise à jour $11,35 \pm 0,1 \rightarrow \pm 0,05$ / $5,43 \rightarrow 5,38 \pm 0,05 \rightarrow \pm 0,8$ | MEYNIER | 21/10/98 |
| Creation Date 09.02.94 | | Ces renseignements sont donnés à titre indicatif. Dans le but constant d'améliorer nos produits, nous nous reser- vons le droit d'apporter toutes modifications jugées utiles. | 101, Rue Ph. Hoffmann - Z.I. Ouest 93116 ROSNY/S/BOIS Cedex (France) Tel. : (1) 48 54 80 40 Fax : (1) 48 54 83 63 Telex: Radia A 220673 F | |
| Mise a jour Date ----- | | | | |